

# Sliding Gate Valve 90mm



## Installation and Specification Guide

### PRODUCT DETAILS

Versatile in its application, the Sliding Gate Valve fits into 90mm pipes and allows water flow to be shut off.

<b>HW0902</b>	90mm	Plastic Paddle
<b>HW0903</b>	90mm	Stainless Steel Paddle*

### FEATURES AND BENEFITS

- Manufactured from UV stabilised uPVC with stainless steel hardware.
  - Compact and robust design.
  - Can be used as a wet system drain valve on rain harvesting systems.
  - 90mm female socket fit.
  - Plastic Paddle version is suitable for drainage applications, i.e. emptying a charged rainwater harvesting system.
  - Stainless Steel Paddle version has the strength to close off during mid flow (max closing pressure 60 kPa). Ideal for applications where an active water flow needs to be shut-off or diverted.
- Suitable for low pressure applications (sealing pressure rated to 210kPa).
  - Ergonomically designed handle, allowing for easy opening and closing.

# Installation

## WHAT'S IN THE BOX?

- Sliding Gate Valve

## TOOLS/MATERIALS YOU MAY REQUIRE

- Marker Pen
- Tape Measure
- Saw
- Solvent weld glue
- Priming fluid

## SLIDING GATE VALVE

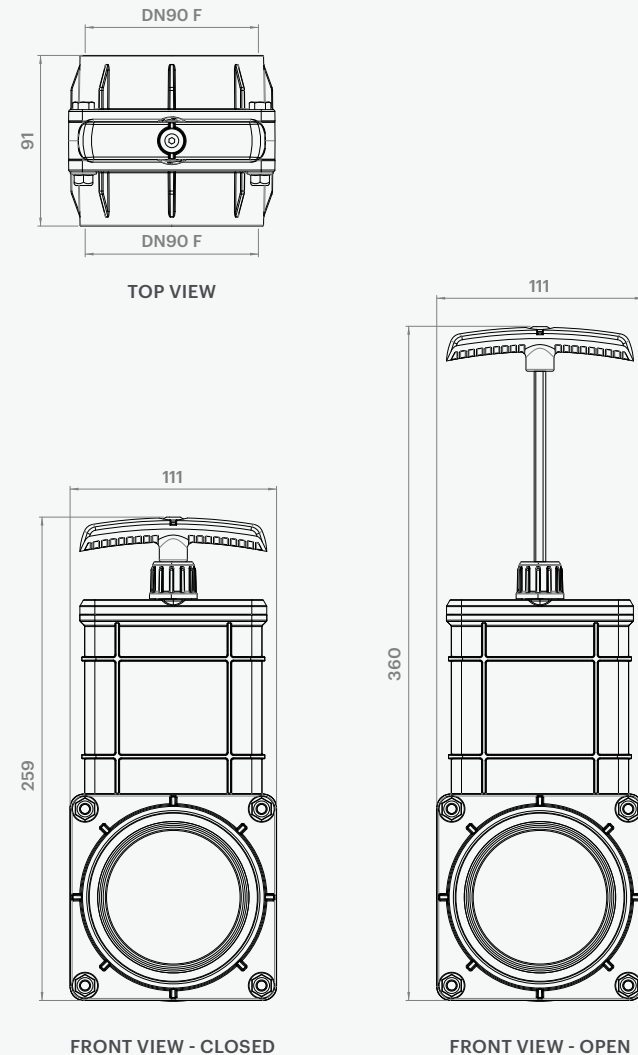
- Select your desired installation point. The Sliding Gate Valve can be installed in the vertical or horizontal position.
- Measure and remove a 35mm section of pipe at your desired installation point. Ensure all cut edges are clean and smooth.
- Use priming fluid to clean inside the sockets of the Sliding Gate Valve and outside of the pipes you will be gluing the valve to.
- Apply solvent weld glue first to inside the sockets of the Sliding Gate Valve and then to the outside of the pipes, bring together and ensure pipes are inserted fully into the sockets of the Sliding Gate Valve. Hold for a minimum of 60 seconds or until secure.

## SPECIFICATIONS

Pressure Ratings	Size	Paddle Type	Max Pressure (kPa)	Mid Flow Max Closing Pressure (kPa)
HW0902	90mm	Plastic Paddle	210	5
HW0903	90mm	Stainless Steel Paddle*	210	60

\* Standard product available in SS304. Available in SS316 by request. Please get in touch with us at [info@bmco.com.au](mailto:info@bmco.com.au) for more information.

## PRODUCT DIMENSIONS



ALL DIMENSIONS IN MM UNLESS OTHERWISE STATED.

### Pipe Fitment

HW0902	DN90 F (socket)	90mm pipe fits inside
HW0903	DN90 F (socket)	90mm pipe fits inside