

Blue Mountain Co
PLUMBING

Blue Mountain Co
PLUMBING

Easy Tee



Installation and Specification Guide

PRODUCT DETAILS

Easily create secure T-junction cut-ins with the snap-on PVC Easy Tee Junction, suitable for 90mm and 100mm pipes.

HW0910 90mm x 90mm
HW0911 100mm x 90mm
HW0912 100mm x 100mm

FEATURES AND BENEFITS

- Can be easily retrofitted to existing pipework
- Creates clean and secure T-junctions with minimal fuss and hassle
- Quick and easy to install with simple, snap-on design
- Compatible for fitting to 90mm and 100mm pipes
- Made from lead-free PVC

Installation

WHAT'S IN THE BOX?

- Easy Tee Junction

TOOLS/MATERIALS YOU MAY REQUIRE

- Priming fluid
- Solvent weld glue
- Drill
- 86mm hole saw or 102mm hole saw

PRODUCT SELECTION GUIDE

For an existing 90mm pipe:

- HW0910 (90mm X 90mm) – Allows you to connect a 90mm branch/off take

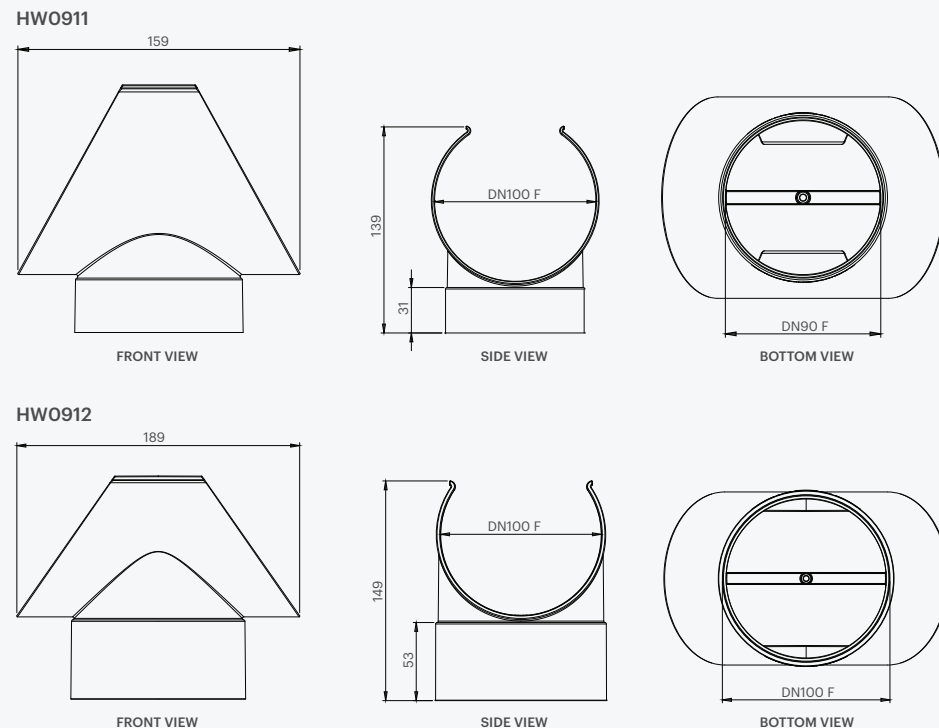
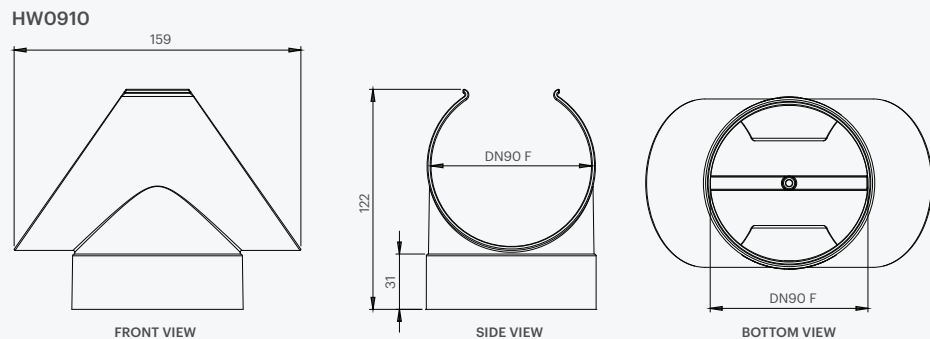
For an existing 100mm pipe:

- HW0911 (100mm x 90mm) – Allows you to connect a 90mm branch/offtake
- HW0912 (100mm x 100mm) – Allows you to connect a 100mm branch/offtake

EASY TEE

1. Select your desired installation point. The Easy Tee Junction can be installed on vertical and horizontal pipes.
2. Use primer to clean the pipe around your chosen installation point and to clean the inside of your Easy Tee “Snap on cradle” and branch/offtake socket.
3. Apply solvent weld glue to the inside of your Easy Tee “Snap on cradle” and to the pipe of your installation point, push the cradle over the pipe and hold in position for a minimum of 60 seconds or until secure.
4. Allow the solvent weld glue to dry.
5. Using the appropriately sized hole saw and drill (86mm for 90mm and 102mm for 100mm) cut a hole in the pipe through the branch/offtake socket of your Easy Tee Junction and install your 90mm or 100mm branch/offtake pipe.

PRODUCT DIMENSIONS



ALL DIMENSIONS IN MM UNLESS OTHERWISE STATED.

Pipe Fitment

HW0910	Snap on Cradle	90mm pipe	90mm pipe snaps into cradle
	Branch/offtake	DN90 F (socket)	90mm pipe fits inside
HW0911	Snap on Cradle	100mm pipe	100mm pipe snaps into cradle
	Branch/offtake	DN90 F (socket)	90mm pipe fits inside
HW0912	Snap on Cradle	100mm pipe	100mm pipe snaps into cradle
	Branch/offtake	DN100 F (socket)	100mm pipe fits inside

DISCLAIMER This product specification is not a complete guide to product usage. Product specifications may change without notice. For more information visit bluemountainco.com.au/plumbing. Keep this manual handy for future reference. © Rain Harvesting Pty Ltd..

COMPLIANCE

- Australian Standard AS/NZS 4020:2005
(Testing of products for use in contact with drinking water)